

5

4

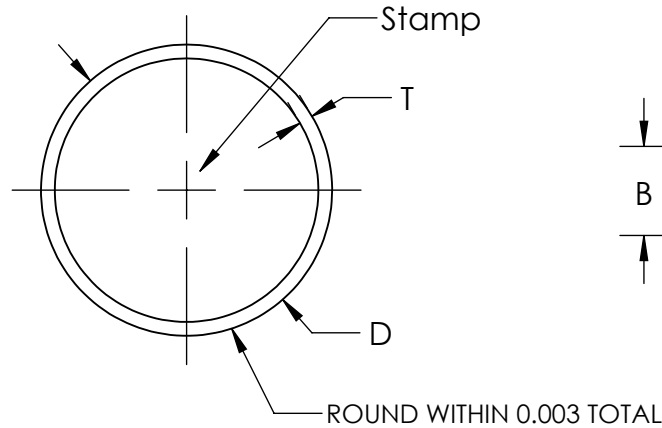
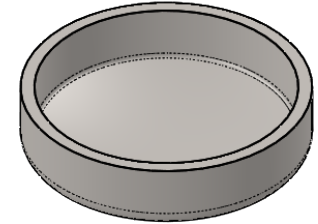
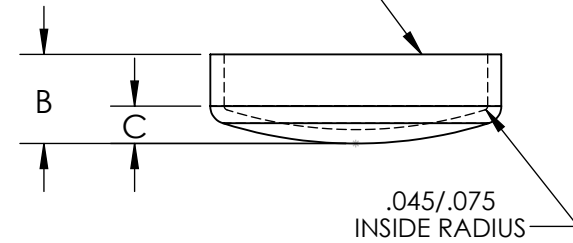
3

2

1

EXPLANATION OF PART CALLOUT**PC aaaa mf****Material and Finish Codes**

Z1 - CS, .00015 min. Zinc, Clear

THIS SURFACE TO BE SQUARE AND FLAT
WITHIN .020 TOTAL

Part Number	Nominal Diameter	*Outside Diameter (D)	Overall Height (B)	Crown Height (C)	Steel Thickness (T)	Recommended Hole Diameter
PC-0500	1/2	.510-.512	.230-.270	.049-.075	.042	.504-.506
PC-0562	9/16	.572-.574				.566-.568
PC-0625	5/8	.635-.637				.629-.631
PC-0687	11/16	.697-.699				.691-.693
PC-0750	3/4	.760-.762				.754-.756
PC-0812	13/16	.823-.825				.817-.819
PC-0875	7/8	.885-.887	.290-.330	.057-.083	.048	.879-.881
PC-1000	1	1.010-1.012				1.002-1.005
PC-1125	1-1/8	1.135-1.137				1.127-1.130
PC-1250	1-1/4	1.260-1.262				1.252-1.255
PC-1500	1-1/2	1.506-1.508				1.497-1.500
PC-1750	1-3/4	1.760-1.762				1.751-1.754
PC-1875	1-7/8	1.885-1.887	.340-.380	.067-.103	.060	1.876-1.879
PC-2000	2	2.010-2.012				2.001-2.004
PC-2500	2-1/2	2.513-2.518				2.500-2.504
PC-3000	3	3.010-3.013	.480-.540	.077-.113	.074	3.000-3.004
			.111-.167			

*OD before plating

Example of Part Callout**PC 1125 Z1**

This part number indicates this plug will have dimensions:
Nominal Diameter = 1-1/8
Outside Diameter (D) ≈ 1.136
Overall Height (B) ≈ .310
Crown Height (C) ≈ .085
Material Thickness (T) = .048

Made from CS, .00015 min. Zinc, Clear

THE ORIGINAL CLIP & CLAMP CO.

1221 SOUTH PARK STREET
PORT WASHINGTON, WI 53074
(262) 377-5030**PROPRIETARY AND CONFIDENTIAL**

THE INFORMATION CONTAINED IN THIS DRAWING IS THE SOLE PROPERTY OF KICKHAEFER MANUFACTURING COMPANY. ANY REPRODUCTION IN PART OR AS A WHOLE WITHOUT THE WRITTEN PERMISSION OF KICKHAEFER MANUFACTURING COMPANY IS PROHIBITED.

PART SERIES
MASTER PRINT**PC**CARBON STEEL
EXPANSION PLUGS

DRAWN CHECKED

BC KW

8/22/17 9/11/18

NOT TO SCALE

5

4

3

2

1

A

A