

5

4

3

2

1

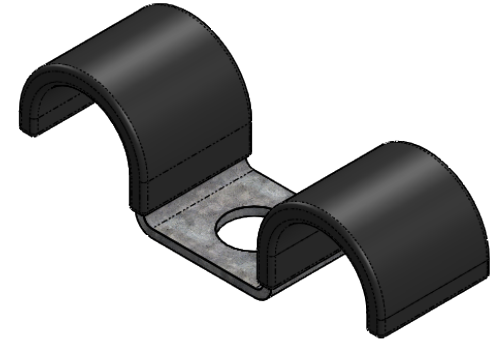
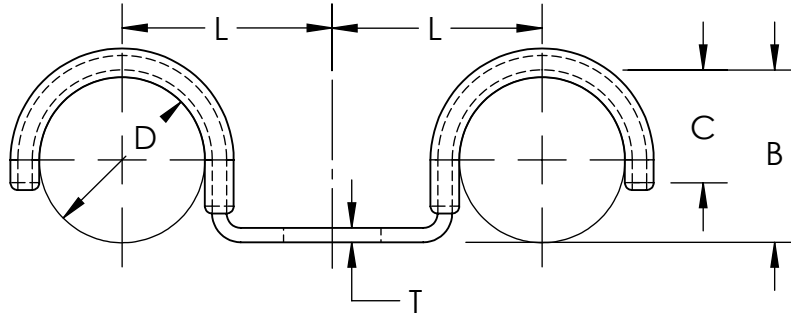
Material and Finish Codes

Z1 - CS, HD Galvanized, Chem Treated G90
 Z2 - CS, .0002 min Zinc, Clear

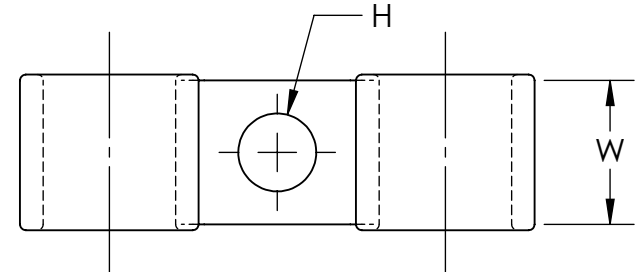
Cushion is Black Vinyl, 1/32" Thick

REVISIONS

REV.	DESCRIPTION	DATE	APPROVED
1	removed four size and finish options	12/14/2020	C. Goettl



Part Number	Clamping Diameter (D)	Center to Center (L)	Width (W)	Hole Diameter (H)	Base to Top of Radius (B)	Closure (C)	Material Thickness (T)
CMV-0709	.375	.687	.750	.281	.375	.343	.048
CMV-0711				.343			
CMV-0809	.437	.812	.750	.281	.437	.250	.060
CMV-0811				.343			
CMV-0909	.500	.875	.750	.281	.468	.400	.060
CMV-0911				.343			
CMV-1009	.562	.625	.750	.281	.625	.500	.060
CMV-1011				.343			
CMV-1109	.625		1.000	.281		.437	
CMV-1209*	.687	.875	.750	.281	.718	.500	.090**
CMV-1211*				.343			
CMV-1213*	.750	1.250	1.000	.406	.843	.406	.090**
CMV-1311*				.343			
CMV-1313*	.812	.906	.750	.406	.906	.750	.120
CMV-1409*				.281			
CMV-1413*	.937	1.062	1.000	.406	.968	.968	± .002
CMV-1609*				.281			
CMV-1713*	1.000	1.156	1.000	.406	.968	.968	± .002
	± .031	± .031	± .010	± .005	± .015	REF.	± .002



KMCTM

THE ORIGINAL CLIP & CLAMP CO.

1221 SOUTH PARK STREET
 PORT WASHINGTON, WI 53074
 (262) 377-5030

PROPRIETARY AND CONFIDENTIAL

THE INFORMATION CONTAINED IN THIS DRAWING IS THE SOLE PROPERTY OF KICKHAEFER MANUFACTURING COMPANY. ANY REPRODUCTION IN PART OR AS A WHOLE WITHOUT THE WRITTEN PERMISSION OF KICKHAEFER MANUFACTURING COMPANY IS PROHIBITED.

PART SERIES
 MASTER PRINT

CMV

COATED DOUBLE
 PIPE CLAMPS

DRAWN CHECKED

BC KW

8/22/17 11/28/18

NOT TO SCALE

*Part only available in Z2

**Material Thickness tolerance of ± .004

5

4

3

2

1