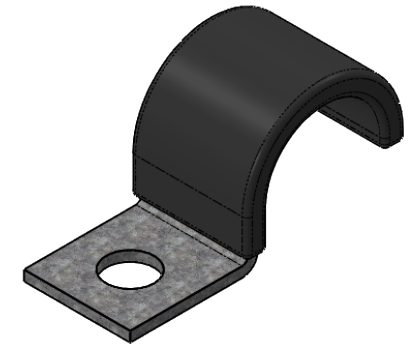
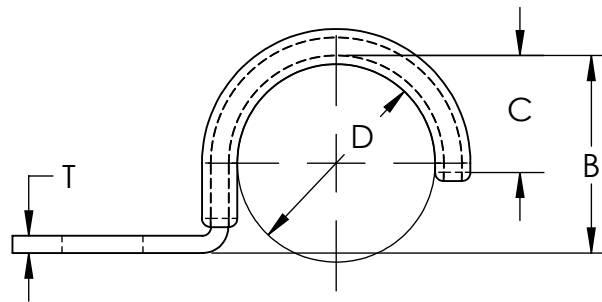


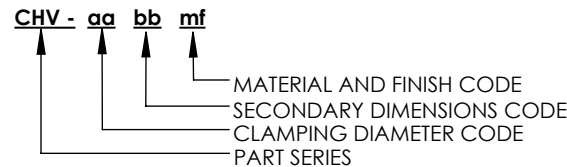
D

D

aa	Closure (C)	Center to Center (L)	
		bb 07 and 09	bb 11 and 13
04	.156	.093	N/A
05	.188	.500	.500
06	.218	.531	.687
07	.281	.562	
08	.312	.625	
09	.343	.687	.750
10	.437	.750	.812
11	.406	.812	.875
12	.437		
13	.468	.875	.937
14	.531	.937	
15	.593	.968	.968
16	.625	1.000	1.000
17	.687	1.062	1.062
	± .015	± .031	



**EXPLANATION OF PART CALLOUT**

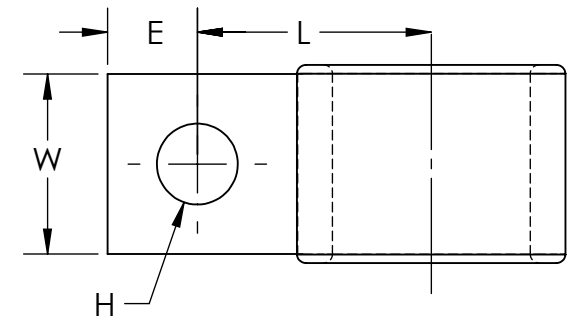


**EXAMPLE OF PART CALLOUT**

**CHV - 10 09 Z1**

This part number indicates the clamp will have dimensions:  
 Clamping Diameter (D) = .563  
 Hole Diameter (H) = .281  
 Center to Center (L) = .750  
 Width (W) = .625  
 Hole Center To End (E) = .312  
 Material Thickness (G) = .060  
 Base To Top Of Diameter (B) = .562  
 Closure (C) = .437

Made from CS, Hot Dipped Galvanized, Chem Treated G90



**Material and Finish Codes**

Z1 - CS, HD Galvanized, Chem Treated G90  
 Z2 - CS, .0002 min. Zinc w/Clear Chromate

Cushion is Black Vinyl, 1/32" Thick

C

C

B

B

Clamping Diameter (D)	Base to Top of Diameter (B)
$\frac{aa - 1}{16}$	$\frac{aa - 1}{16}$
± .031	± .015

A

A

bb	Hole Diameter (H)	Hole Center to End (E)				Material Thickness (T)				Width (W)		
		aa from 02 to 05	aa from 06 to 13	aa equal to 14	aa from 15 to 17	aa from 02 to 04	aa equal to 05	aa equal to 05	aa from 08 to 17	aa from 02 to 05	aa from 06 to 13	aa from 14 to 17
07	.218	.250	.312	.375	.437	.032	.048	.048	.060	.500	.625	N/A
09	.281									.625		
11	.343									.750		
13	.406											
	± .005	± .015				± .010						

**THE ORIGINAL CLIP & CLAMP CO.**  
 1221 SOUTH PARK STREET  
 PORT WASHINGTON, WI 53074  
 (262) 377-5030

**PROPRIETARY AND CONFIDENTIAL**  
 THE INFORMATION CONTAINED IN THIS DRAWING IS THE SOLE PROPERTY OF KICKHAEFER MANUFACTURING COMPANY. ANY REPRODUCTION IN PART OR AS A WHOLE WITHOUT THE WRITTEN PERMISSION OF KICKHAEFER MANUFACTURING COMPANY IS PROHIBITED.

**PART SERIES MASTER PRINT**

**CHV**  
 COATED HALF CLIPS

DRAWN	CHECKED
BC	KW
8/22/17	11/27/18

NOT TO SCALE