

5

4

3

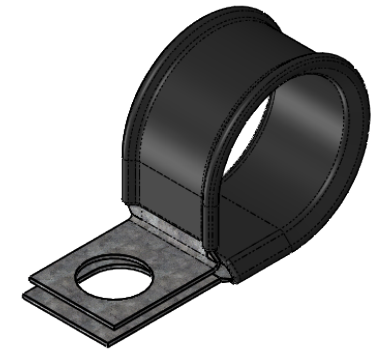
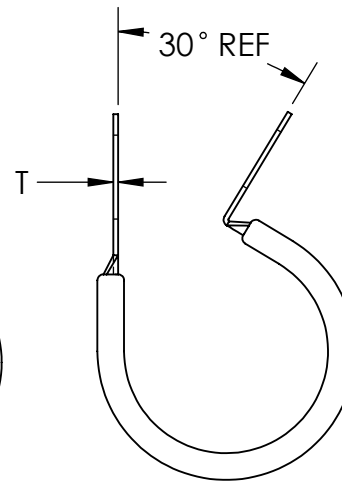
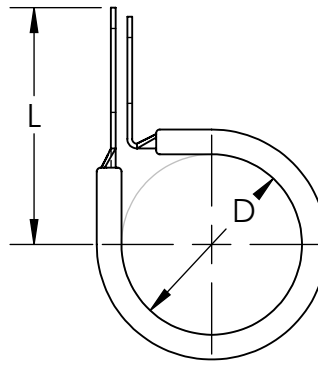
2

1

**Material and Finish Codes**

Z1 - CS, HD Galvanized, Chem Treated G90  
 Z2 - CS, .0002 min Zinc, Clear

Cushion is Black Vinyl, 1/32" Thick

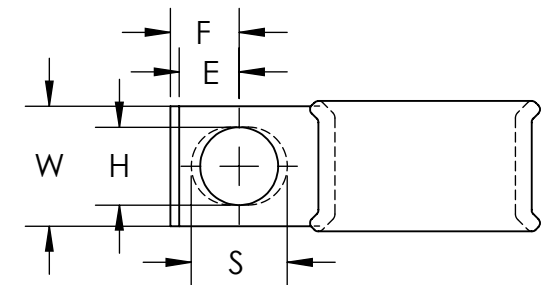
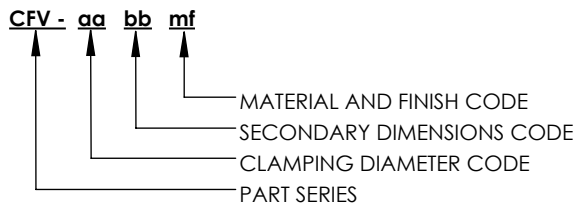


As Supplied  
(Open Position)

Note: CFV clamps have a circular hole with diameter H on the top side and a slotted hole with H width, and length S, on the bottom side.

Clamping Diameter (D)	Center to Center (L)		
	bb = 09	bb = 11	bb = 13
$\frac{aa - 1}{16}$	$\frac{aa + 12}{16}$	$\frac{aa + 13}{16}$	$\frac{aa + 15}{32}$
± .031	± .031		

bb	Hole Diameter (H)	Hole Center to End (E)	Slot Length to End (F)	Slot Length (S)	Width (W)	Material Thickness (T)
09	.281	.250	.296	.375	.500	.025
11	.343	.281	.328	.437	.562	
13	.406	.312	.359	.500	.625	
	± .005	± .015	± .015	± .020	± .010	

**EXPLANATION OF PART CALLOUT****EXAMPLE OF PART CALLOUT****CFV - 12 13 Z1**

This part number indicates the clamp will have dimensions:  
 Clamping Diameter (D) = .750  
 Hole Diameter (H) = .406  
 Center to Center (L) = .843  
 Width (W) = .625  
 Hole Center to End (E) = .312  
 Slot Center to End (F) = .359  
 Slot Length (S) = .500

Made from Hot Dipped Galvanized Steel  
 Cushion is Black Vinyl, 1/32" Thick

**KMC**<sup>TM</sup>

THE ORIGINAL CLIP & CLAMP CO.

1221 SOUTH PARK STREET  
 PORT WASHINGTON, WI 53074  
 (262) 377-5030

**PROPRIETARY AND CONFIDENTIAL**

THE INFORMATION CONTAINED IN THIS DRAWING IS THE SOLE PROPERTY OF KICKHAEFER MANUFACTURING COMPANY. ANY REPRODUCTION IN PART OR AS A WHOLE WITHOUT THE WRITTEN PERMISSION OF KICKHAEFER MANUFACTURING COMPANY IS PROHIBITED.

PART SERIES  
 MASTER PRINT

**CFV**

COATED, FLARED EDGE  
 CLAMPS

DRAWN CHECKED

BC KW

8/22/17 9/11/18

NOT TO SCALE

5

4

3

2

1

A

A