

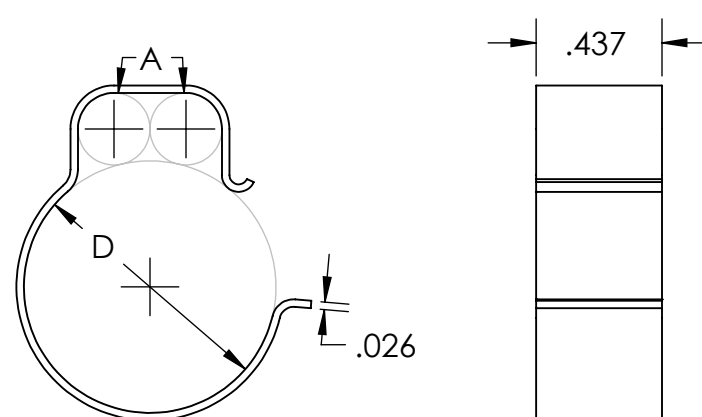
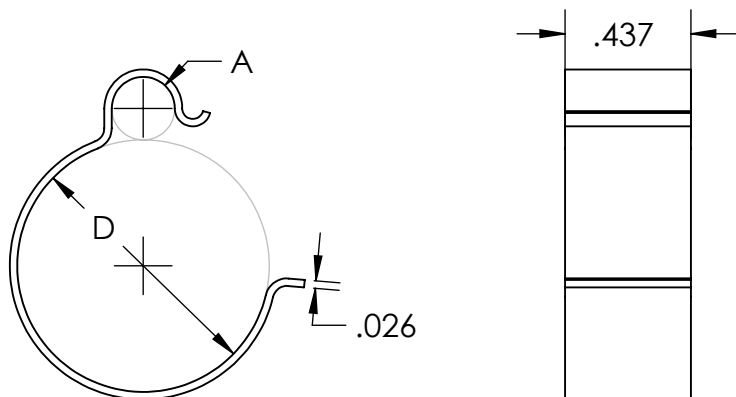
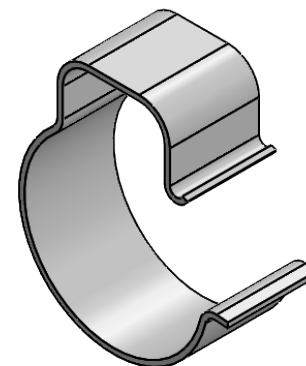
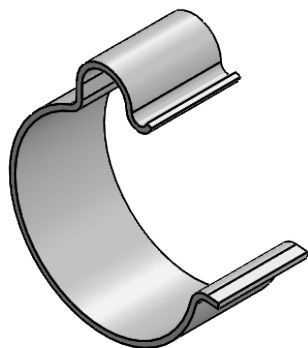
5

4

3

2

1

Figure 1 - SW**Figure 2 - MW****Material and Finish Codes**

H6 - C1050 Annealed Spring Steel Treated to Blue Spring Temper,
Zinc Plate, Bake and Clear Chromate

| Part Number | Figure | Tubing Diameter (D) | Cable Diameter (A) |
|-------------|--------|---------------------|--------------------|
| SW-1206 | 1 | 3/4 | 3/16 - 7/32 |
| SW-1406 | 1 | 7/8 | 3/16 - 7/32 |
| SW-1412 | 1 | 7/8 | 3/8 |
| SW-1606 | 1 | 1 | 3/16 - 7/32 |
| MW-1408 | 2 | 7/8 | 1/4 |

KMCTM

THE ORIGINAL CLIP & CLAMP CO.

1221 SOUTH PARK STREET
PORT WASHINGTON, WI 53074
(262) 377-5030

PROPRIETARY AND CONFIDENTIAL

THE INFORMATION CONTAINED IN THIS DRAWING IS THE SOLE PROPERTY OF KICKHAEFER MANUFACTURING COMPANY. ANY REPRODUCTION IN PART OR AS A WHOLE WITHOUT THE WRITTEN PERMISSION OF KICKHAEFER MANUFACTURING COMPANY IS PROHIBITED.

PART SERIES
MASTER PRINT

SW & MW

SIDE-MOUNTING, CONTROL
CABLE CLIPS

DRAWN CHECKED

BC KW

7/19/18 9/11/18

NOT TO SCALE

5

4

3

2

1

D

D

C

C

B

B

A

A