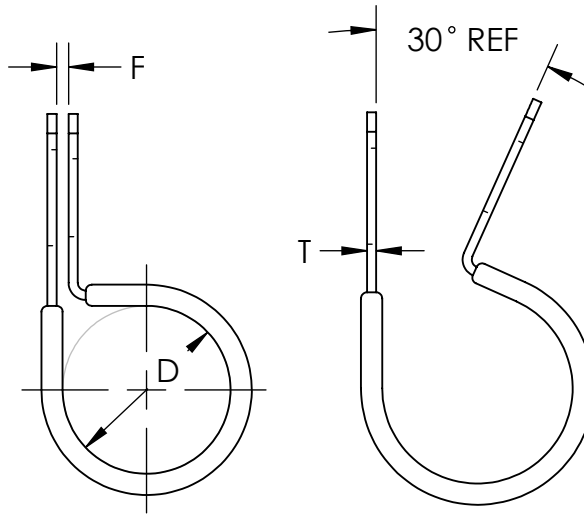


bb	Width (W)
09	.500
11	.625
13	.750
15	.875
17	1.000
± .010	

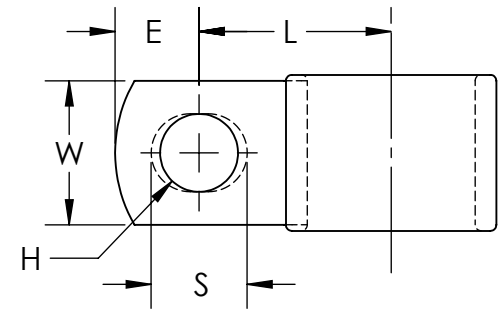
Exceptions to the rule for W include:
COV-0415, COV-0515, and COV-0615 = .750
COV-0517, COV-0617, and COV-0717 = .875

Clamping Diameter (D)	Center to Center (L)	
	aa from 04 to 32	aa from 33 to 65
$\frac{aa - 1}{16}$	$\frac{aa + bb + 3}{32}$	$\frac{aa + bb + 4}{32}$
± .031	± .031	



As Supplied (Open Position)

Note: COV clamps have a circular hole with diameter H on the top side and a slotted hole with H width, and length S, on the bottom side.



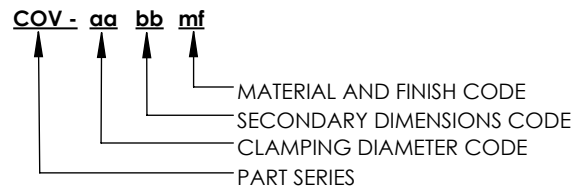
bb	Hole Diameter (H)	Hole Center to End (E)	Slot Length (S)	Gap (F)		Material Thickness (T)	
				aa from 04 to 06	aa from 07 to 65	aa from 04 to 07	aa from 08 to 65
09	.281	.312	.375	.031	.062	.031	.048
11	.343	.375	.437				
13	.406	.437	.500				
15	.468	.500	.562	N/A		N/A	
17	.531	.562	.625				
± .005		± .015	± .020	± .031			

Material and Finish Codes

Z1 - CS, HD Galvanized, Chem Treated G90
Z2 - CS, .0002 min Zinc, Clear

Cushion is Black Vinyl, 1/32"

EXPLANATION OF PART CALLOUT



EXAMPLE OF PART CALLOUT

COV - 16 13 Z1

This part number indicates the clamp will have dimensions:
Clamping Diameter (D) = .937
Hole Diameter (H) = .406
Center to Center (L) = 1.000
Width (W) = .750
Hole Center to End (E) = .437
Gap (F) = .062
Material Thickness (G) = .048
Slot Length (S) = .500

Made from CS, Hot Dipped Galvanized, Chem Treated G90



THE ORIGINAL CLIP & CLAMP CO.
1221 SOUTH PARK STREET
PORT WASHINGTON, WI 53074
(262) 377-5030

PROPRIETARY AND CONFIDENTIAL

THE INFORMATION CONTAINED IN THIS DRAWING IS THE SOLE PROPERTY OF KICKHAEFER MANUFACTURING COMPANY. ANY REPRODUCTION IN PART OR AS A WHOLE WITHOUT THE WRITTEN PERMISSION OF KICKHAEFER MANUFACTURING COMPANY IS PROHIBITED.

PART SERIES MASTER PRINT

COV

COATED WIRING AND TUBE CLAMPS

DRAWN CHECKED

BC KW

8/22/17 9/11/18

NOT TO SCALE